

DISPLAY AND HANDLEBAR
ASSEMBLIES (SHEET 2)

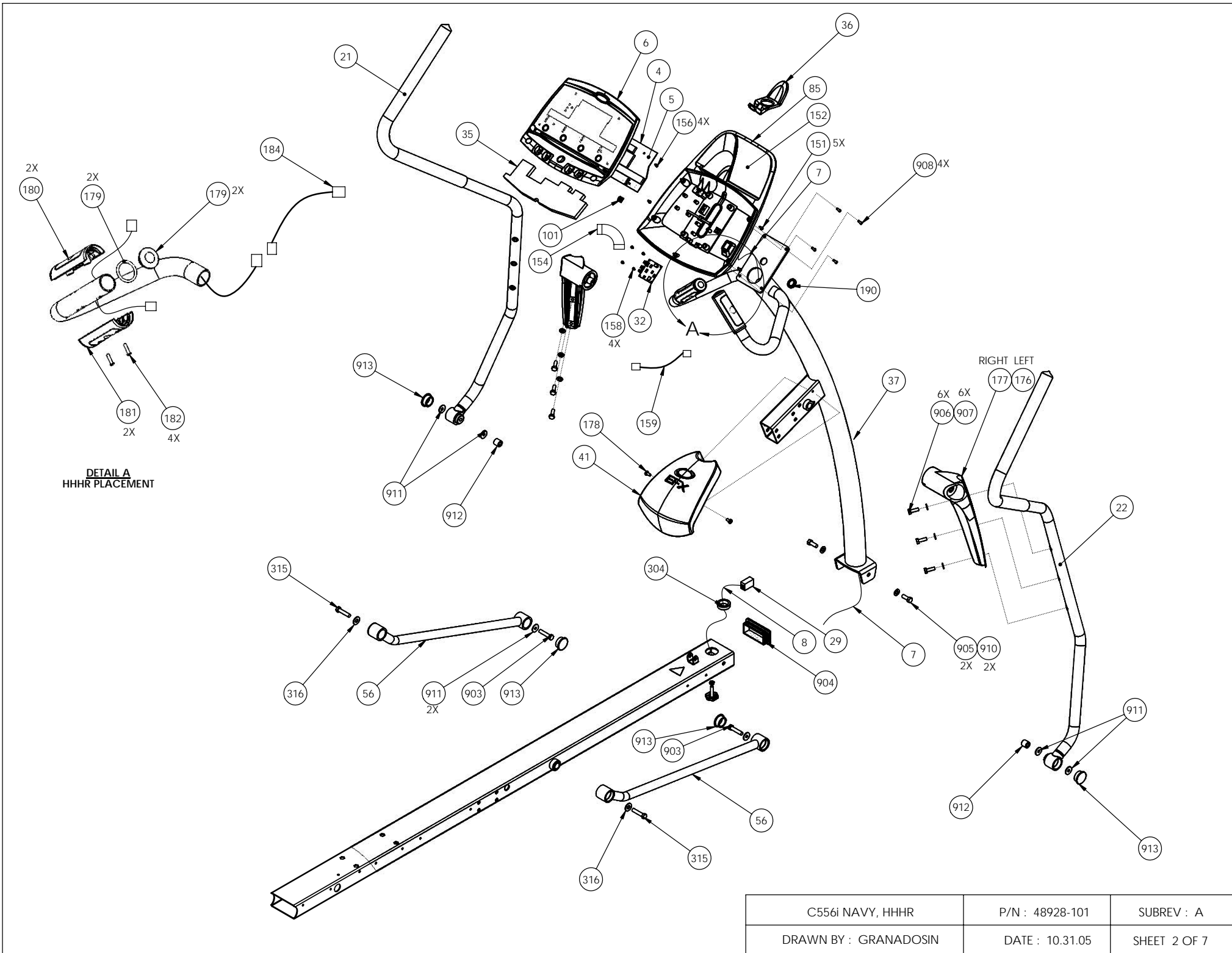
RAMP AND MAIN TUBE
ASSEMBLIES (SHEET 3)

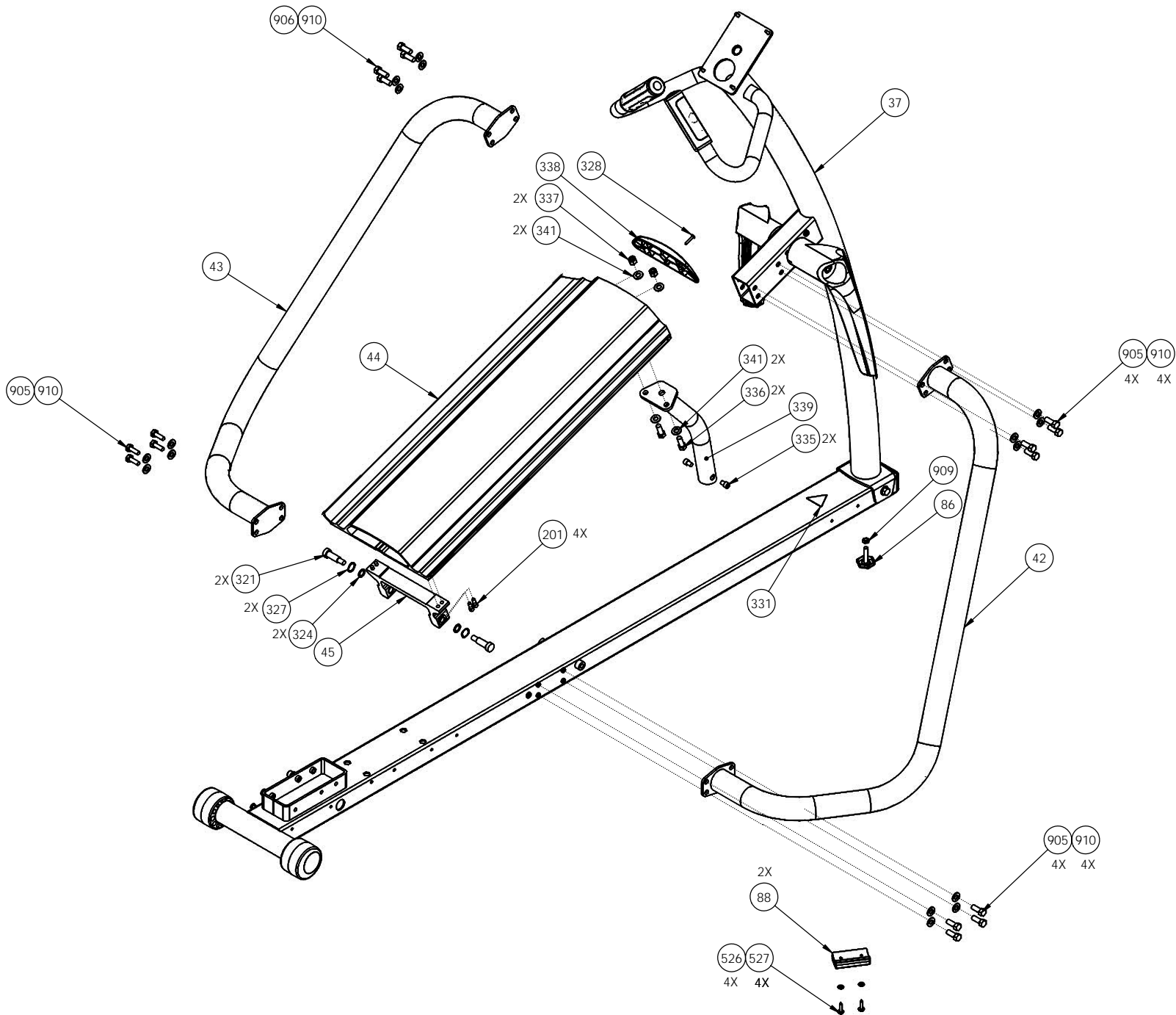
STAIRARM ASSEMBLIES (SHEET 4)

DRIVE ASSEMBLIES (SHEETS 5, 6)

REAR COVER ASSEMBLY (SHEET 7)

C556i NAVY, HHR	P/N : 48928-101	SUBREV : A
DRAWN BY : GRANADOSIN	DATE : 10.31.05	SHEET 1 OF 7





C556i NAVY, HHR

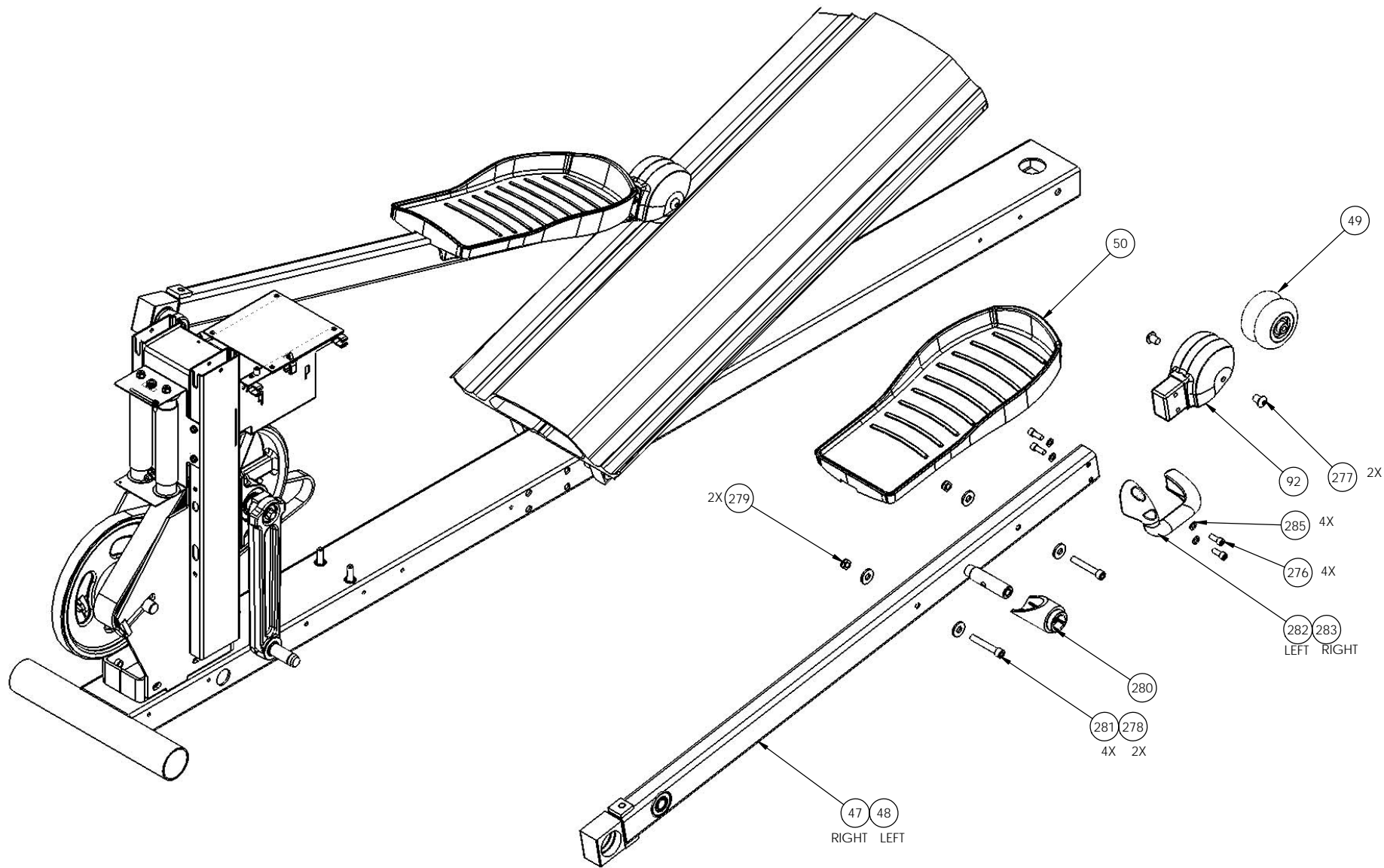
P/N : 48928-101

SUBREV : A

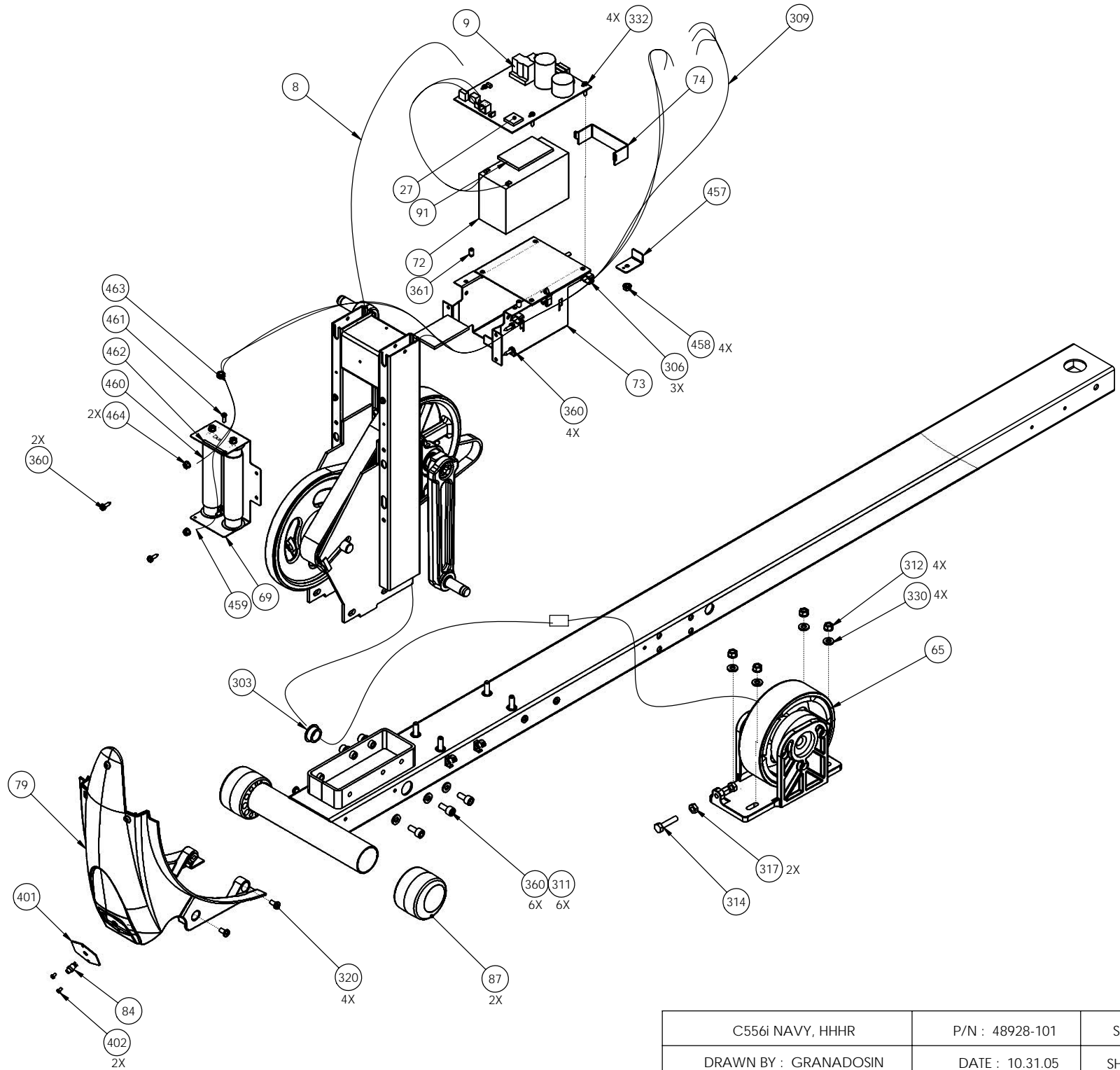
DRAWN BY : GRANADOSIN

DATE : 10.31.05

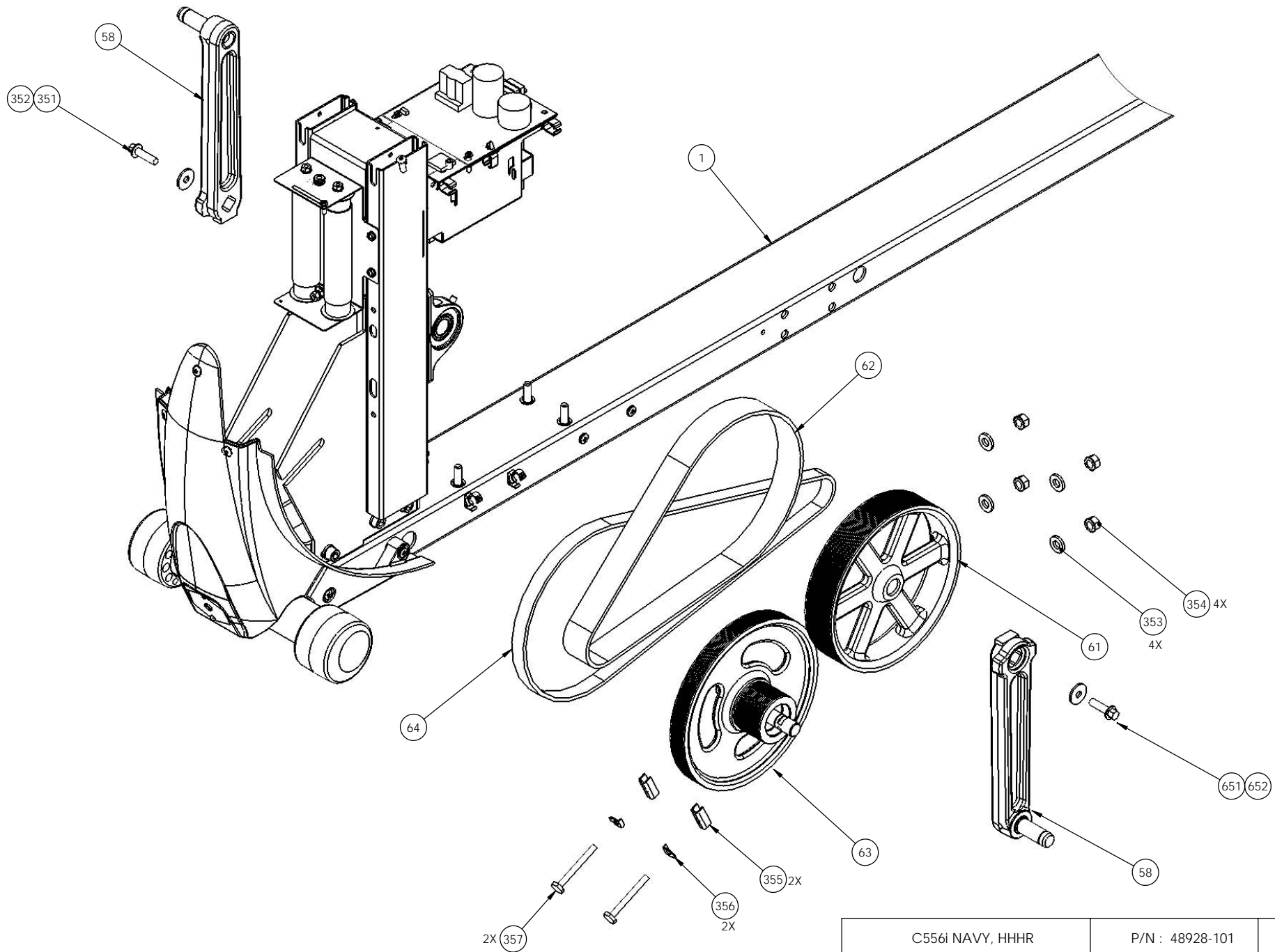
SHEET 3 OF 7



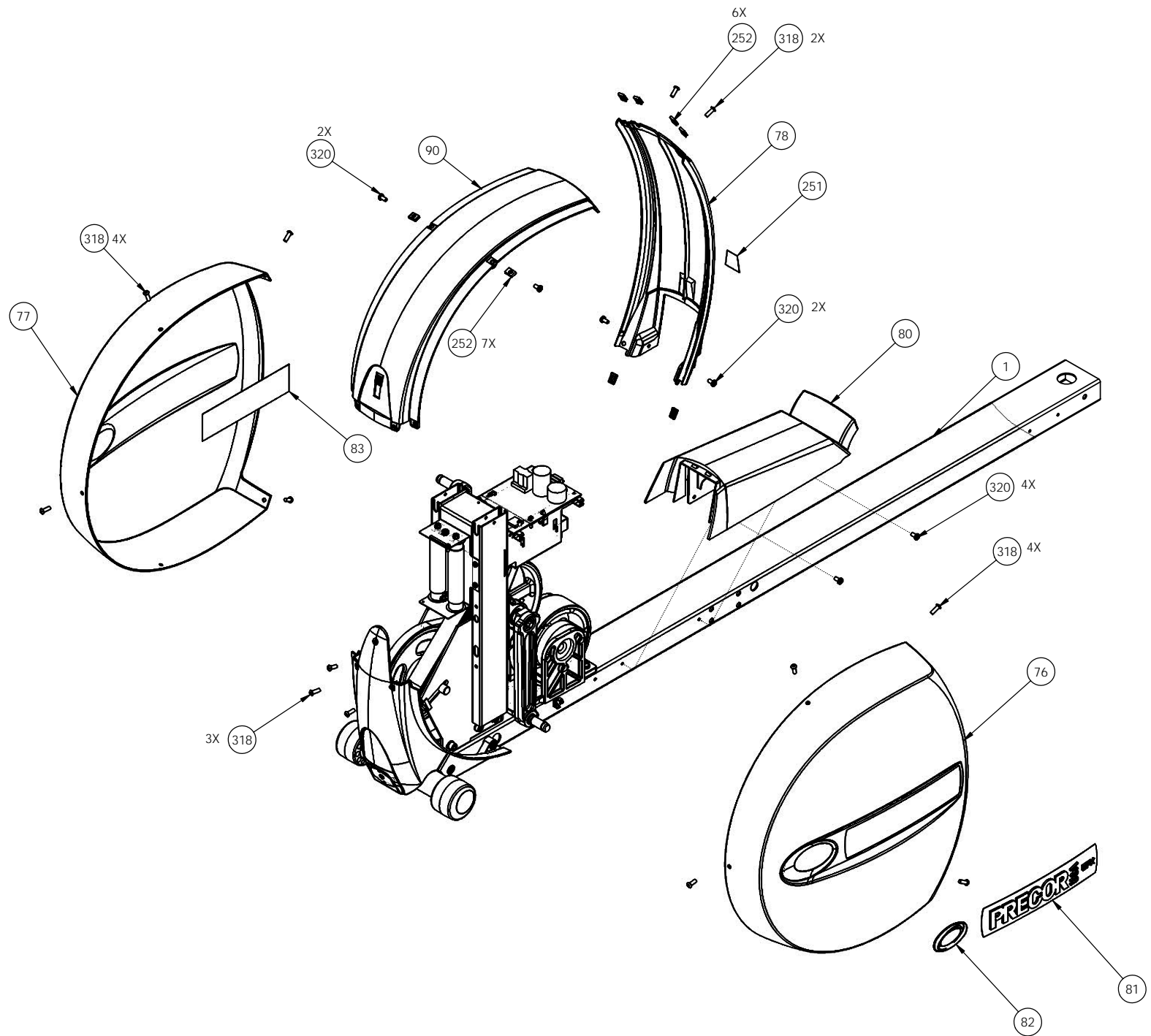
C556i NAVY, HHR	P/N : 48928-101	SUBREV : A
DRAWN BY : GRANADOSIN	DATE : 10.31.05	SHEET 4 OF 7



C556i NAVY, HHR	P/N : 48928-101	SUBREV : A
DRAWN BY : GRANADOSIN	DATE : 10.31.05	SHEET 5 OF 7



C556i NAVY, HHR	P/N : 48928-101	SUBREV : A
DRAWN BY : GRANADOSIN	DATE : 10.31.05	SHEET 6 OF 7



C556i NAVY, HHR	P/N : 48928-101	SUBREV : A
DRAWN BY : GRANADOSIN	DATE : 10.31.05	SHEET 7 OF 7

C556i (Navy)(serial code AA66, AMRZ)

Part Number	Description	Bubble Number
45352-103	WLDMT, LWR FRM, C554I, THD, PT	1
45752-105	ASSY, UPPER PCA & SW, C556I-T2	4
48051-101	ASSY, DISPLAY, LABEL, ENG, 556I NAV	6
44905-084	ASSY,CBL,MOD,8P8C,1-1,84"	7
44905-108	ASSY,CBL,MOD,8P8C,1-1,108"	8
45600-505	PCA, EFX SELF POWER LOWER 6-PHASE,	9
47071-102	ASSY, LOWER PCA & SW, SP EFX, 6-PHA	9.01
47686-101	ASSY, HANDLEBAR, LEFT, 5.33	21
47686-102	ASSY, HANDLEBAR, RIGHT, 5.33	22
47045-311	CPU, PGMD, EFX, SELF POWER, 6-PHASE	27
11415-101	COUPLER,MOD,8P8C,INLINE	29
43579-106	BOARD, CHR & WIRELESS/CONTACT PRIOR	32
44411-103	TOUCHSENSOR SHIELD,23-KEY,T2/C2/T3/	35
43329-102	WIRE FORM,PLASTIC,COMMERCIAL	36
48843-101	WELDMENT, ARC TUBE, THREADED, C554I	37
44384-102	COVER, UPPER MOUNT, RETAIL EFX, STO	41
44317-106	ASSY, MAIN TUBE, RIGHT, C554I, STON	42
44317-105	ASSY, MAIN TUBE, LEFT, C554I, STONE	43
43792-103	RAMP, MACHINED, C556NAVY	44
44333-103	ASSY, RAMP, LIFT BRKT, RETAIL EFX	45
50571-103	KIT,ASSY, RAIL ARM PIVOT,C556	47
50578-102	ASSY, STAIRARM WHEEL, LARGE BEARING	49
37314-108	PEDAL, FOOT	50
45994-101	ASSEMBLY,LINK,TOTAL BODY	56
44557-104	ASSEMBLY, CRANK ARM, COMMERCIAL, WI	58
45976-101	ASSEMBLY, DRIVE INPUT,17:1 DRIVE, E	61
10217-138	BELT, DRIVE, 360J16 POLY V	62
45974-101	ASSY,STEP-UP,17:1 DRIVE,EFX	63
10217-139	BELT, DRIVE, 460J8 POLY V	64
45987-102	GENERATOR, 6 PHASE WITH PRESSED ON	65
39700-101	ASSEMBLY, RESISTOR, 240W	69
45970-101	ASSY, BATTERY W/CABLE,SLA,12V,7AH,.	72
45908-105	BRACKET, BATTERY, LARGE, SELF POWER	73
45909-101	SPACER, BATTERY BRACKET, SELF-POWER	74
44940-101	ASSY,DRIVE WELDMT,SP EFX	75
44527-109	ASSY, EFX COVER, RIGHT SIDE	76
44527-110	ASSY, EFX COVER, LEFT SIDE, SP	77
44479-102	ASSY, FRONT PANEL, EFX COVER, REAR,	78
43707-103	SUPPORT, REAR COVER,STONE GRAY	79
43840-102	WEDGE, REAR COVER, EFX,STONE GRAY	80
47347-101	LABEL, EFX COVER, REAR, STONE GREY	81
47355-101	LABEL, EFX LOGO, REAR COVER, DURO-L	82
47086-102	LABEL, WIRING DIAGRAM,C546I/C556I/C	83
45252-035	ASSY,CBL,2C,PWR JACK/.08 RECP,35"	84
43179-104	BACKPLATE, DISPLAY, COMMERCIAL ,STO	85
47324-101	ASSY, DISPLAY BACK, HHR, STONE GRA	85
11406-103	FOOT, LEVELER, RUBBER BASE, 1.5"LG	86
37534-102	FOOT, ADJUSTABLE	87
44480-103	ASSY, TOP PANEL, EFX COVER, REAR	90

43702-504	WHEEL, COVER, 556, PT	92
12264-101	RJ-45 TELEPHONE JACK PLUG	101
PMKN016-050	SCREW,TCS,#8X1/2,PHIL,BLK ZN,TYPE25	151
47328-131	LABEL, ACCESSORY TRAY, EN, C554I/C	152
45696-022	ASSY,CBL,FFC,12COND,28AWG,2.2"	154
MGCN016-038	SCREW,MCH,8-32X3/8,PANHD,PHIL,	155
MGCN013-025	SCREW,MCH,6-32X1/4,PANHD,PHIL,	158
44954-013	ASSY,CBL,HHHR TO DISPLAY,13"	159
10123-102	CABLE TIE, 3-7/8 LONG,WHITE,NYL	160
44391-503	ASSY,CASTING,UPPER,LEFT,OUTSRCD	176
44391-504	ASSY, CASTING, UPPER, PIVOT, RT, OU	177
PANKN025-050	SCREW,S/T,#1/4-20X1/2,PANHD,PHIL,BZ	178
10115-113	O-RING, ROUND, 1.25ID X .139	179
42713-102	HHHR SENSOR, TOP	180
42714-102	HHHR SENSOR, BOTTOM	181
TCNN016-075	SCREW, BTHD, 8-32X.75,SS	182
42730-101	PLUG, HHHR, HANDLE BAR END	183
47341-008	ASSY, CABLE, HHHR PCA, W/SHIELD, 8"	184
48421-024	ASSY, CABLE, HHHR GRIP, W/SHIELD,24	185
47718-102	HOLE PLUG, PLASTIC .875 X.13-.18	190
CAKN025-063	SCREW,SKHD,1/4-20X5/8,BLK ZN,LK	201
47546-101	LABEL, CAUTION	251
10136-103	CLIP,U TYPE, TINNEMAN, 1/4-20	252
CCNN025-063	SCREW,SKHD,1/4-20X5/8,SS,LK	276
TCNN031-050	SCREW,BTHD,5/16-18, 1/2,SS	277
CCNN031-200	SCREW,SKHD,5/16-18X2,SS,LK	278
KADN031-016	LOCKNUT,HALF,5/16-18,CAD PLT	279
47000-101	SPACER, LINK/STAIRARM,556I	280
WPNN038-008	WASHER,FLT,5/16X.875X.104,SS	281
47008-103	HOOK, STAIR RAIL, 556I, LEFT	282
47008-104	HOOK, STAIR RAIL, 556I, RIGHT	283
WPNN026-003	WASHER, FLAT, .255 X .468 X .029, S	285
10178-107	BUSHING, SNAP	303
10178-112	BUSHING, SNAP	304
12515-101	CLAMP, CABLE, BLACK, RELEASABLE ON	306
47095-042	ASSY,CBL,22AWG,6P6C TO 8P6C,MINI-FI	309
CAKN031-075	SCREW,SKHD,5/16-18X0.75,BLK ZN,LK	311
KGCN031-027	LOCKNUT,STARWASHER,5/16-18,1/2	312
47002-101	CAP, TUBE, PLASTIC, ROUND, 1.625 DI	313
HJCN031-150	SCREW,HEX,5/16-18X1.50,ZINC,FULLY	314
HCCE038-150	SCREW,HEX,GR 5,3/8-16X1 1/2,ZN,LK	315
WCNN038-008	WASHER, FLT, 3/8X1.00X.083	316
KMCN031-023	NUT, HEX, 5/16-18, ZINC	317
TFKN025-075	SCREW,BTHD,1/4-20X3/4,BLK ZN	318
PKCN019-050	SCREW,S/T,#10X1/2,WSHHXHD,ZN	319
PANKN025-050	SCREW,S/T,#1/4-20X1/2,PANHD,PHIL,BZ	320
RAKN038-125	SCREW,SHLD,3/8X1-1/4,HEXSC,BLK ZN	321
WAGNN048-001	WASHER,WAVE (SSR-0062)	324
WNNN051-002	WASHER,SHIM,1/2X3/4X.020THK	327
PGKN016-100	SCREW, S/T, #8 X 1, TRS, PHIL, BLK	328
WRCN031-009	WASHER,GRADE 8,3/8,13/32 ID,13/16OD	330

47545-101	LABEL, CAUTION PINCH POINTS	331
PMKN016-088	SCREW,TCS,#8X7/8,PHIL,BLK ZN,TYPE 2	332
ABHN017-001	RING, RETAINER, EXTERNAL	334
CAKN031-048	SCREW,SHC, 5/16-18X7/16 LG, BLK ZN	335
HAKN038-100	SCREW,HEXHEAD,GRADE2,3/8-16X1,BLKZN	336
KDKN038-034	LOCKNUT,FULL,3/8-16,BLK ZN	337
43106-103	ENDCAP, RAMP, C556,STONE GRAY	338
47682-102	WELDMENT, RAMP SUPPORT, PAINTED	339
WAGNN062-001	WASHER, WAVE, .87 OD X .62 ID	340
WBKN038-007	WASHER, FLT, 3/8, ID=.406, BLK ZN	341
ACHN131-003	RING, RETAINER,INTERNAL, 1.312 SPIR	349
WNNN032-009	WASHER,FLT, .321X1.00X.090 THK	351
HTKT008-018	BOLT,SHIMANO CRANK,M8X18MM, NYLK	352
WRCN038-011	WASHER,GRADE 8,3/8,13/32 ID,13/16OD	353
KGCN038-033	LOCKNUT, STARWASHER, 3/8-16	354
37385-101	BRACKET, TENSIONER	355
37855-103	TAB, LOCKING	356
HACN025-250	SCREW,1/4-20X2-1/2,HEX,GR 2,ZN	357
PKCN019-050	SCREW,S/T,#10X1/2,WSHHXHD,ZN	360
12289-806	SPCR,SELFRETAIN,NYLN,#8(M-4),3/8"	361
44966-102	PLATE,CHARGER CONNECTOR,SP, EFX	401
MGKN013-025	SCREW,MCH,6-32X1/4,PANHD,PHIL,	402
45910-101	TAB, BATTERY BRACKET, SELF-POWERED	457
KGCN025-020	LOCKNUT,STARWASHER,1/4-20,ZN	458
47098-031	ASSY,CBL, HIGH TEMP, 600V,	459
47098-027	ASSY,CBL, HIGH TEMP, 600V,	460
PMKN016-050	SCREW,TCS,#8X1/2,PHIL,BLK ZN,TYPE25	461
12103-101	CLAMP,CABLE,VINYL COATED	462
10379-109	GROMMET, 49/64 OD, 1/4 ID	463
KNCN019-013	NUT,HEX,10-32,ZINC	464
47792-101	KIT, HARDWARE, THREADED, 5.33, STON	901
11311-101	ENDCAP, REC TUBE, BLACK PLASTIC, 50	904
HAKN038-100	SCREW,HEXHEAD,GRADE2,3/8-16X1,BLKZN	905
HCKN031-100	SCREW,HEX,GR 5, 5/16-18 X1LG,BLK ZN	906
WBKN031-007	WASHER, FLT, 5/16, ID=.344,	907
MGKN025-050	SCREW, PANHD, 1/4-20 X .5, BLK ZN	908
KPCN031-019	NUT,HEX THIN,5/16-18,ZN	909
WBKN038-007	WASHER, FLT, 3/8, ID=.406, BLK ZN	910
WCCN038-008	WASHER, FLT, 3/8X1.00X.083	911
47001-101	SHAFT, LINK BUSHING, 556I	912
47002-101	CAP, TUBE, PLASTIC, ROUND, 1.625 DI	913
KAKN038-027	LOCKNUT,HALF,3/8-16,BLK ZN	914
48906-101	LITERATURE KIT, C556INAVY	999